

FREE SOFTWARE!

truspec

ANCHOR CALCULATION SOFTWARE 3.0



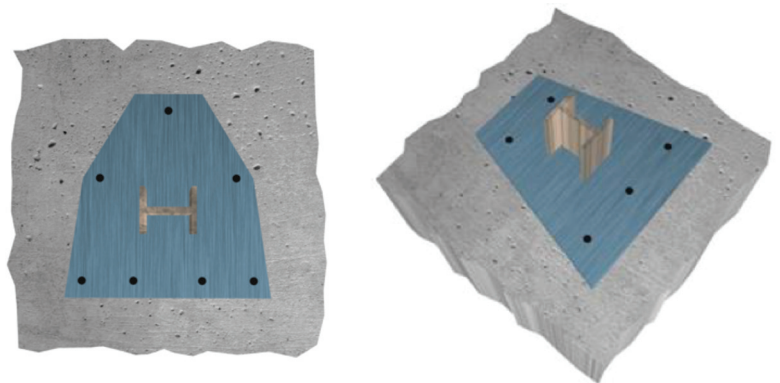
The most user-friendly anchor design software is now even better, allowing you to do more types of anchor designs from anywhere, be that in the office or out on the jobsite.

NEW! Access cloud-based Truspec 3.0 via web browser from your computer or mobile device

- Cloud-based version means users always have access to the latest features, without the hassle of installing updates.
- Can access from 4G mobile devices even without wifi internet connection

Versatile – do everything in one package

- **NEW** Supports cast-in as well as post-installed anchor design
- **NEW** Supports anchoring to masonry as well as concrete substrates
- **NEW** Allows you to customize base plate shapes and anchor layouts



Customize base plate shapes and anchor layouts

Accurate, reliable, code-compliant anchor designs

- **NEW** Supports ACI318 Strength Design method for concrete, including cracked and seismic conditions.
- Also supports anchor design in accordance with Canada CSA standards.
- **NEW** Truspec 3.0 lets you enter multiple load combinations and calculates the worst-case controlling combination for you
- **NEW** Truspec 3.0 checks your base plate design using finite element analysis to ensure adequate rigidity

OPTIONS 1. APPLICATIONS 2. DIMENSIONS 3. MATERIAL 4. LOADS 5. DESIGN 6. CALCULATE

Design loading

Enter factored design loads

Load Combo	[lbf / lbf ft]	N_{uz}	V_{ux}	V_{uy}	M_{uz}	M_{ux}	M_{uy}
<input checked="" type="checkbox"/> [LC1]_1.2D+1.6L+0.5(L+S,R)	standard	450	0	0	0	0	0
<input checked="" type="checkbox"/> [LC2]_0.9D+1.0W	standard	0	0	1440	0	0	0
<input checked="" type="checkbox"/> [LC3]_1.2D+1.0E+1.0L+0.2S	seismic	0	610	0	0	1230	0
<input checked="" type="checkbox"/> [LC4]_1.2D+1.0W+1.0L+0.5(L+S,R)	standard	0	0	0	1680	0	0
<input checked="" type="checkbox"/> [LC5]_0.9D+1.0E	seismic	0	0	0	0	0	1110

Design options

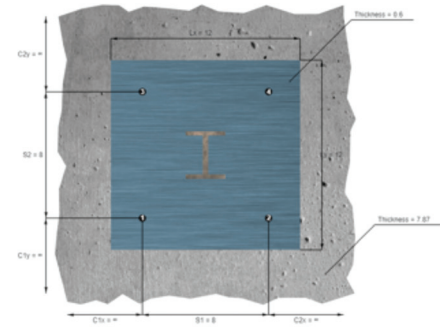
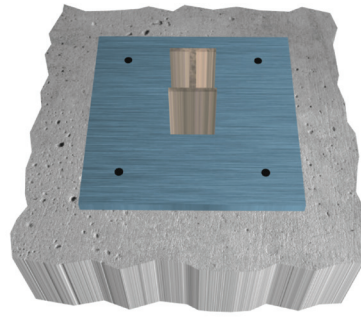
Design option to protect against nonductile tension failure:

Design option to protect against premature shear failure:

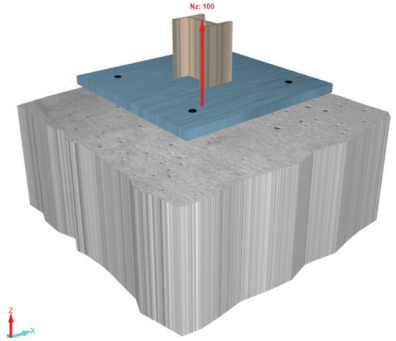
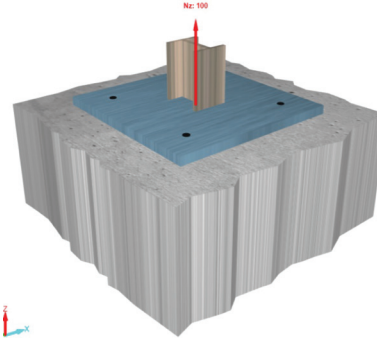
Quickly enter multiple load combinations and determine the controlling combo

Intuitive, easy to use

- Consistently ranked by designers as one of the simplest anchor design programs to learn and use, Truspec 3.0 walks you through the anchor design and selection process in six easy steps – saving time and preventing errors
- Customizable templates are provided for common anchoring applications like base plates, end plates and safety railings
- Graphical user interface provides 2D and 3D design views making it easy to visualize all design elements at a glance
- Tooltip messages provide helpful information whenever the cursor is positioned over an element on the user interface
- Animated indicators simplify and speed the input of tensile, shear and moment load values
- Truspec allows you to filter anchor recommendations by type, diameter, steel grade, etc. Truspec also ranks the viable options to show which are the most efficient from a capacity utilization perspective



View anchor designs in 2D or 3D perspective



Animated display graphically shows load direction

The **NEW**, enhanced design report shows all inputs, formulas, and calculations with relevant standards citations, plus complete anchor product info and installation instructions

➤ **Truspec 3.0 is a FREE web-based program that provides sophisticated anchor design support to structural and nonstructural engineers.**

visit:
www.itwredhead.com/truspec

USE TRUSPEC 3.0 SOFTWARE WITH THE FOLLOWING POPULAR ANCHORING PRODUCTS: CHEMICAL ANCHORING ADHESIVES

➤ Red Head A7+ Adhesive

- The most versatile quick cure
- Fast-curing, all-weather hybrid adhesive

➤ Red Head C6+ Adhesive

- For the most demanding applications
- Maximum strength epoxy adhesive

➤ Red Head G5+ Adhesive

- General-purpose epoxy
- Long working time suitable for hot climates

POST-INSTALLED MECHANICAL ANCHORS

➤ Trubolt Wedge Anchors

- Dependable, heavy-duty expansion anchor

➤ Tapcon and Tapcon+ Screw Anchors

- Fast installation with reliable holding power

➤ Sammys Threaded Rod Hangers

- Accommodates vertical, horizontal and angled attachments

CAST-IN ANCHORS

➤ Hex and heavy hex head bolts

➤ Square and heavy square head bolts